

S-SERIES

SHEAR WRENCH

for Tension Control Bolts



McCANN
Equipment Ltd.

Tel: 1-800-663-6344

www.torquetools.com

MONTREAL	TORONTO	WINNIPEG	EDMONTON	VANCOUVER
10255 Cote de Liesse Dorval, QC	2178 Torquay Mews Mississauga, ON	1489 Dublin Ave. Winnipeg, MB	4128 - 97th Street Edmonton, AB	#7, 7533 - 135th St. Surrey, BC
H9P 1A3	L5N 2M6	R3E 3G8	T6E 5Y	3W 0N6
Tel: (514) 636-6344	Tel: (905) 542-1333	Tel: (204) 774-2277	Tel: (780) 414-1808	Tel: (604) 596-4077
Fax: (514) 636-0365	Fax: (905) 542-1335	Fax: (204) 774-2358	Fax: (780) 414-1865	Fax: (604) 596-6479

email: info@torquetools.com

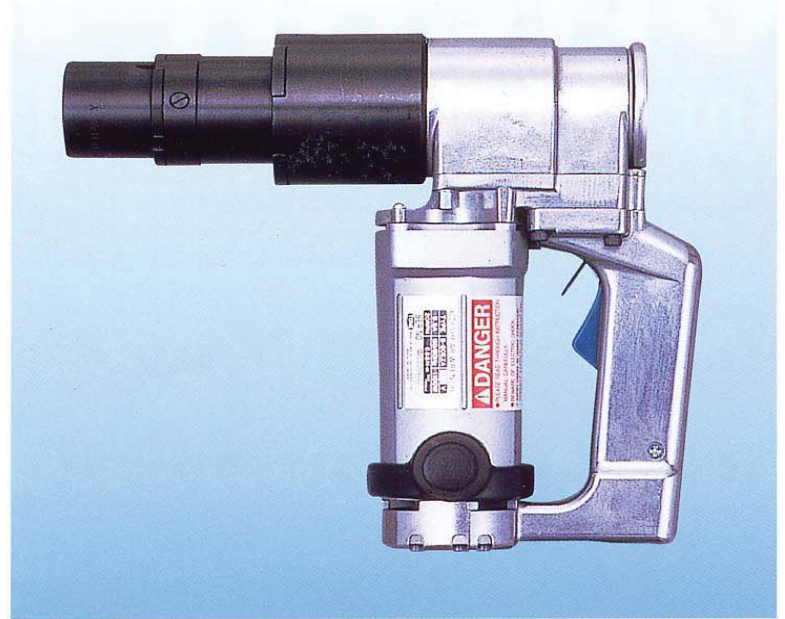
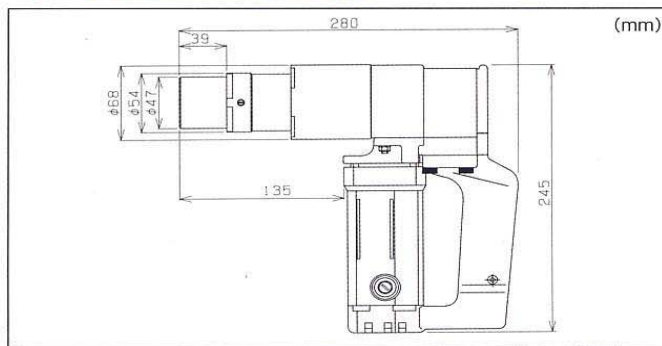
S-60EZA

Medium duty Shear Wrench

[SPECIFICATIONS]

Model	S-60EZA	
Voltage	115V	220V
Max. Current	13.5A	5.5A
Max. Power Consumption	1300W	1100W
Frequency	50 / 60Hz	
Max. Torque	588 N·m(435 lbf·ft)	
No-Load Speed	22rpm	20rpm
Weight	5.5kg(12.1 lb)	

《External Dimensions》



【Adaptable BOLT DIA.】

M16. M20

5/8". 3/4" (7/8" A325 only)

※You can choose 1size Socket.

【ACCESSORIES】

Inner Socket 1pc.

Outer Socket 1pc.

Screw Driver 1pc.

Metal Case 1pc.

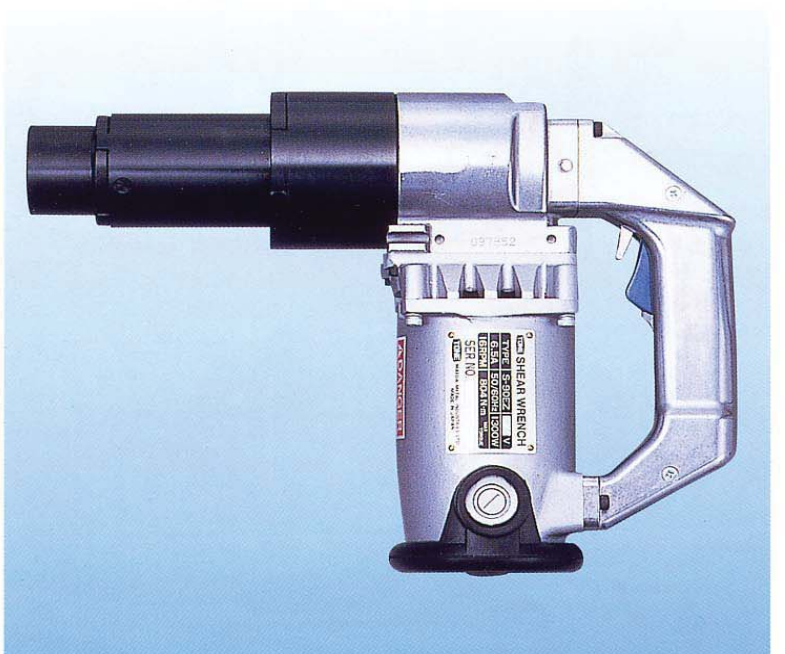
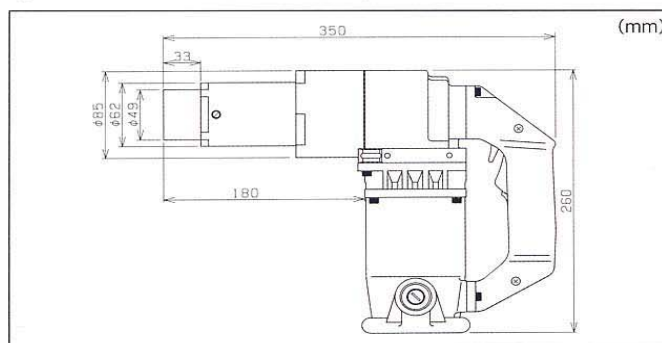
S-90EZ

Heavy Duty Shear Wrench

[SPECIFICATIONS]

Model	S-90EZ	
Voltage	115V	220V
Max. Current	12.0A	6.5A
Max. Power Consumption	1200W	1300W
Frequency	50 / 60Hz	
Max. Torque	804 N·m(595 lbf·ft)	
No-Load Speed	15rpm	16rpm
Weight	7.6kg(16.7 lb)	

《External Dimensions》



【Adaptable BOLT DIA.】

M16. M20. M22

3/4". 7/8" (1" A325 only)

※You can choose 1size Socket.

【ACCESSORIES】

Inner Socket 1pc.

Outer Socket 1pc.

Screw Driver 1pc.

Metal Case 1pc.

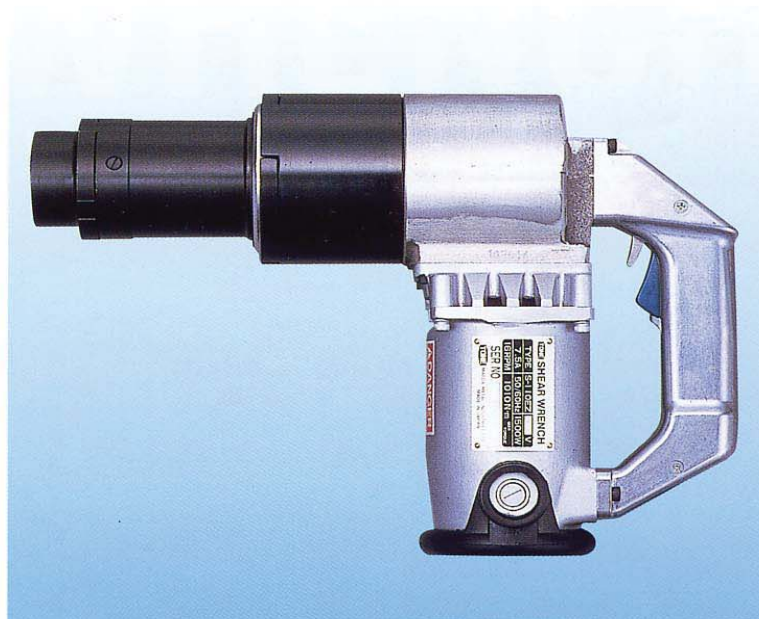
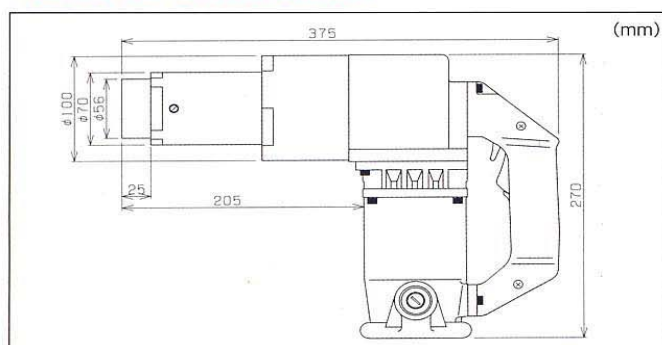
S-110EZ

Heavy Duty Shear Wrench

[SPECIFICATIONS]

Model	S-110EZ	
Voltage	115V	220V
Max. Current	13.5A	7.5A
Max. Power Consumption	1300W	1500W
Frequency	50 / 60Hz	
Max. Torque	1010 N·m(745 lbf·ft)	
No-Load Speed	16rpm	16rpm
Weight	10.3kg(22.7 lb)	

《External Dimensions》



Adaptable BOLT DIA.

M20. M22. M24

7/8".1" (1-1/8" A325 only)

※ You can choose 1size Socket.

[ACCESSORIES]

Inner Socket	1pc.
Outer Socket	1pc.
Screw Driver	1pc.
Metal Case	1pc.

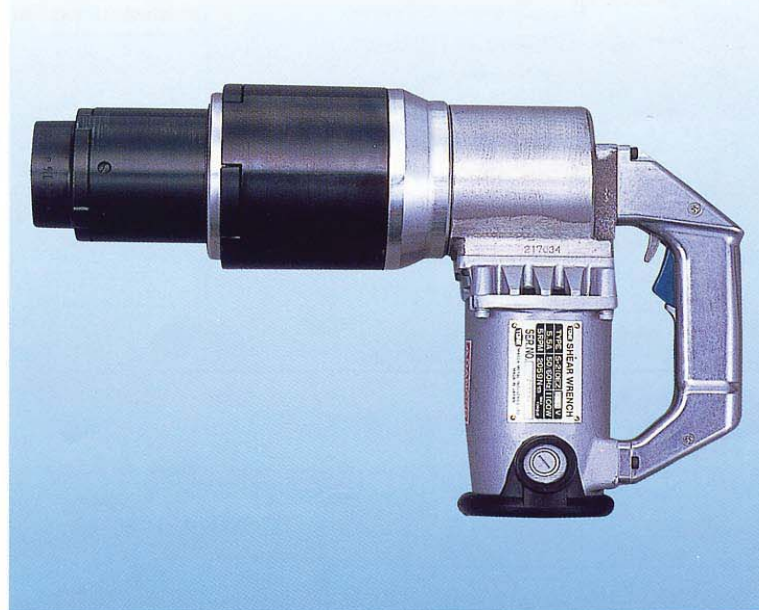
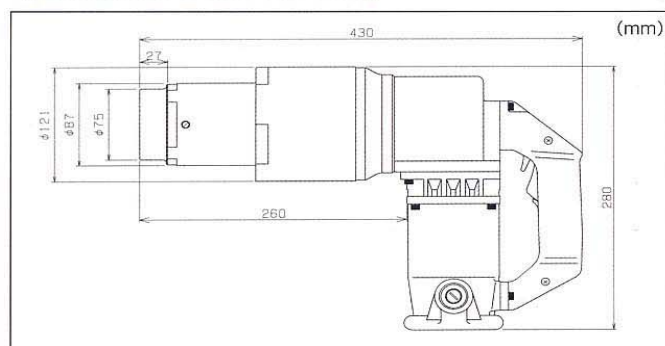
S-210EZ

Extra Heavy Duty Shear Wrench

[SPECIFICATIONS]

Model	S-210EZ
Voltage	220V
Max. Current	5.5A
Max. Power Consumption	1100W
Frequency	50 / 60Hz
Max. Torque	2059 N·m(1520 lbf·ft)
No-Load Speed	5rpm
Weight	16.5kg(36.3 lb)

《External Dimensions》



Adaptable BOLT DIA.

M27. M30

※ You can choose 1size Socket.

[ACCESSORIES]

Inner Socket	1pc.
Outer Socket	1pc.
Screw Driver	1pc.
Metal Case	1pc.

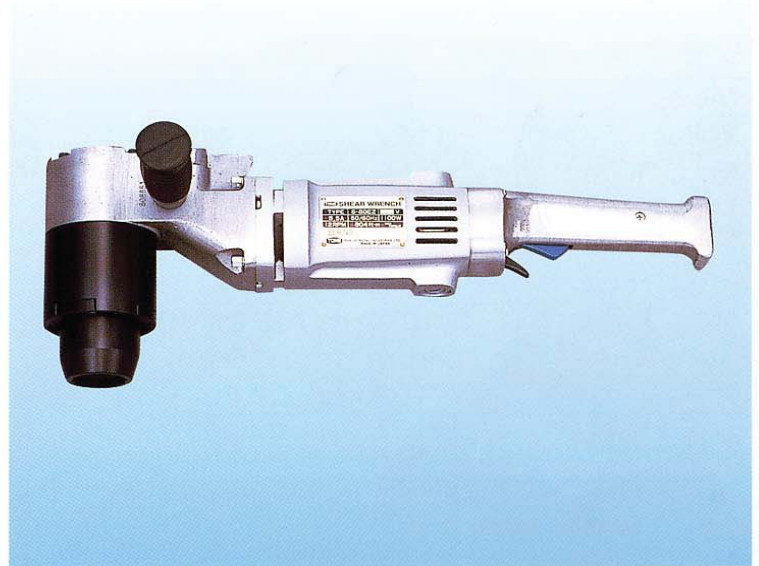
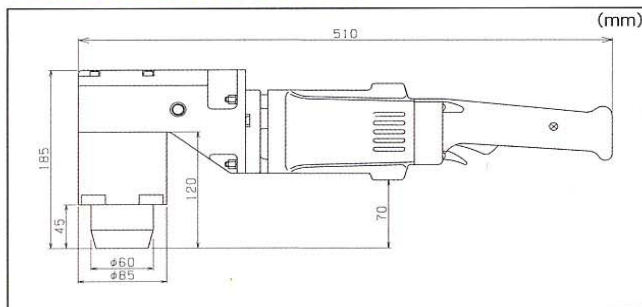
S-80EZA

Corner Shear Wrench

[SPECIFICATIONS]

Model	S-80EZA	
Voltage	115V	220V
Max. Current	11.5A	5.5A
Max. Power Consumption	1100W	1100W
Frequency	50 / 60Hz	
Max. Torque	804 N·m(595 lbf·ft)	
No-Load Speed	12rpm	12rpm
Weight	8.0kg(17.6 lb)	

《External Dimensions》



Adaptable BOLT DIA.

M16. M20. M22
 3/4". 7/8"(1" A325 only)
 ※You can choose 1size Socket.

[ACCESSORIES]

Inner Socket	1pc.
Outer Socket	1pc.
Screw Driver	1pc.
Metal Case	1pc.

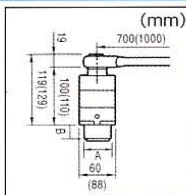
S-20HA/S-24HA

Hand Shear Wrench



[SPECIFICATIONS] & [ACCESSORIES]

S-20HA	S-24HA
4.1kg	6.3kg
M16.M20	M22.M24
1 pc. EA	1 pc. EA



MZ-100

Bolt Tension Calibrator

[SPECIFICATIONS]

Measuring Range	126,000 Lbs
Applicable Bolt Dia.	5/8" - 1-1/4"
Accuracy	± 1%
Weight(mainbody)	21 Lbs



To see the full line of Torque Products we offer, please visit us at:

www.torquetools.com

Montreal - Toronto - Winnipeg - Edmonton - Vancouver

and in the USA at: www.ephtools.com

1-800-663-6344

